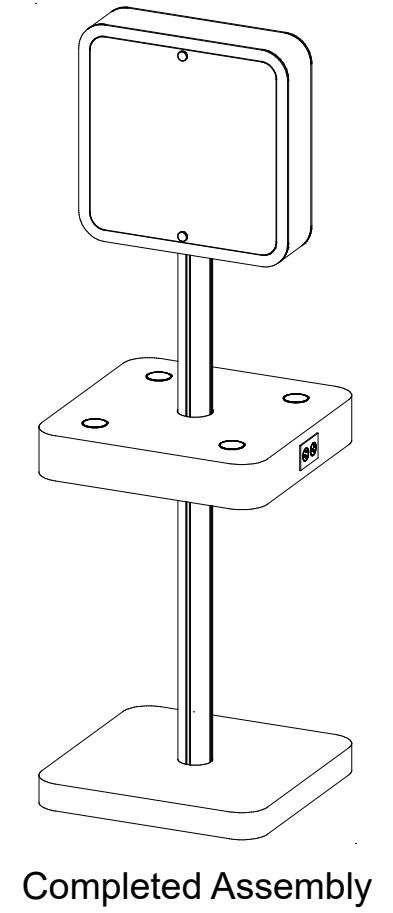
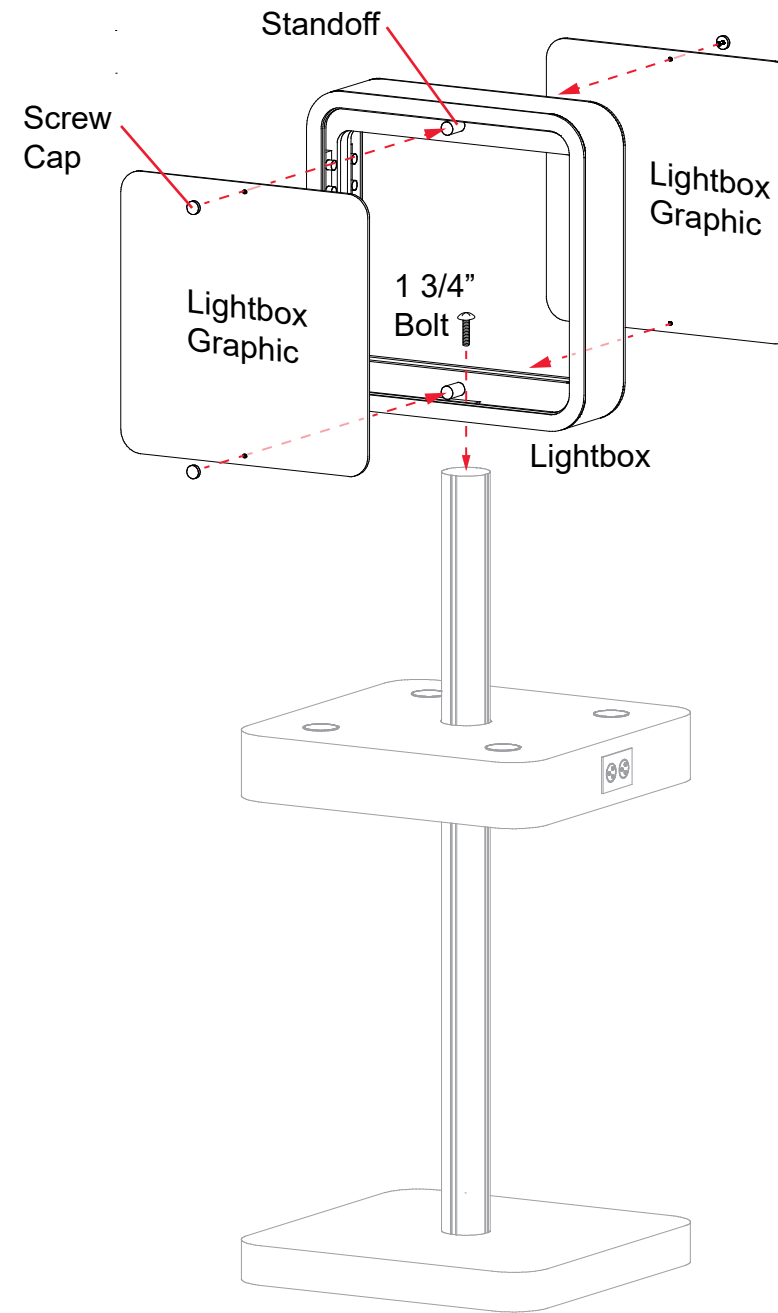
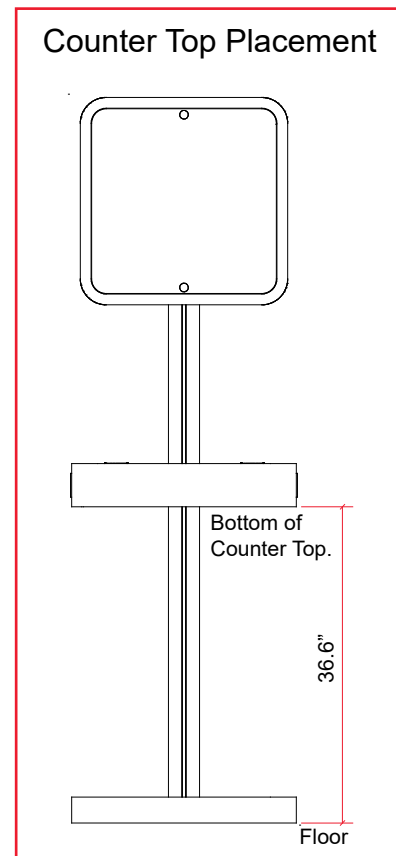
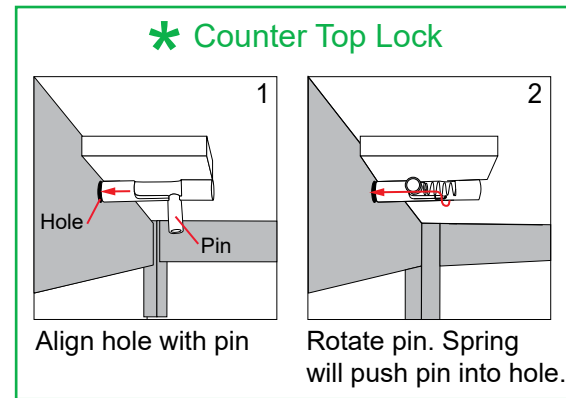
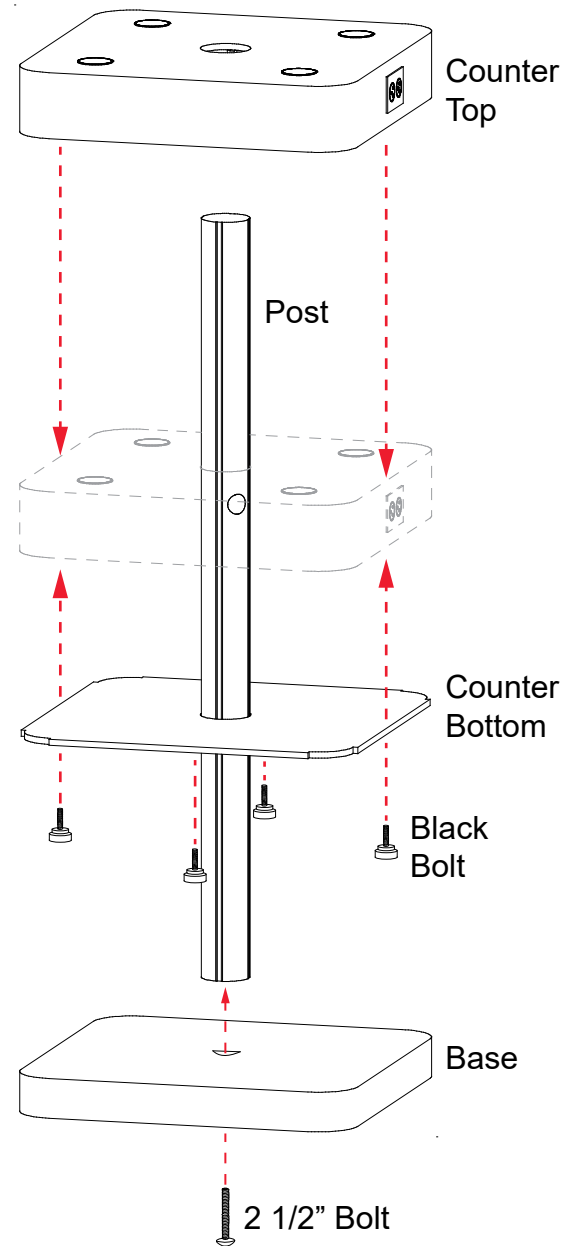


Steps:

- 1) Attach base to post, using 2 1/2" bolt.
- 2) Slide counter bottom over post.
- 3) Slide counter top over post and secure with locks. See details.
- 4) Slide counter bottom up to bottom of counter top, then secure with four black bolts.
- 5) Attach lightbox to post, using 1 3/4" bolt.
- 6) Route lightbox cord thru post, then base, and connect to power.
- 7) Attach lightbox graphics to standoffs, using screw caps.



**SETUP INSTRUCTIONS**